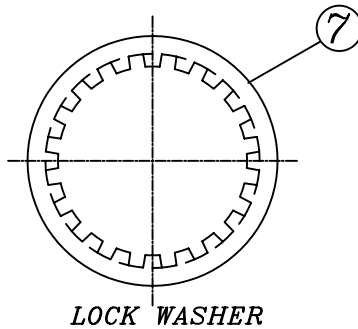


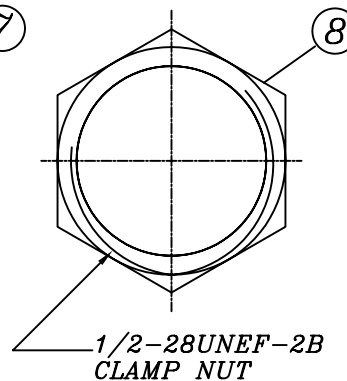
RECOMMENDED PC BOARD LAYOUT
WITHOUT MOUNTING POSTS

MATERIAL & FINISH

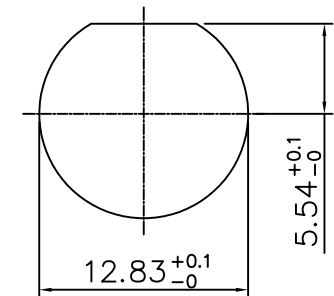
- ① CENTER CONTACT :BRONZE,GOLD PLATING
- ② BODY :ZINC ALLOY NICKEL PLATING
- ③ HOUSING :PBT (94 V-0)
- ④ INSULATOR :PE-606
- ⑤ MOUNTING POST :BRONZE, TIN PLATING
- ⑥ SOLDER TAIL :COPPER WIRE, TIN PLATING
- ⑦ WASHER :STEEL, NICKEL PLATING
- ⑧ NUT :BRASS, NICKEL PLATING



LOCK WASHER



1/2-28UNEF-2B
CLAMP NUT

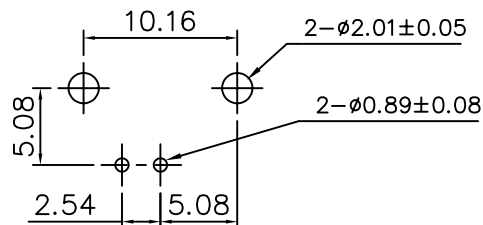
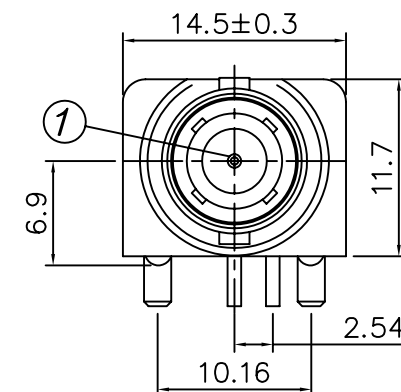
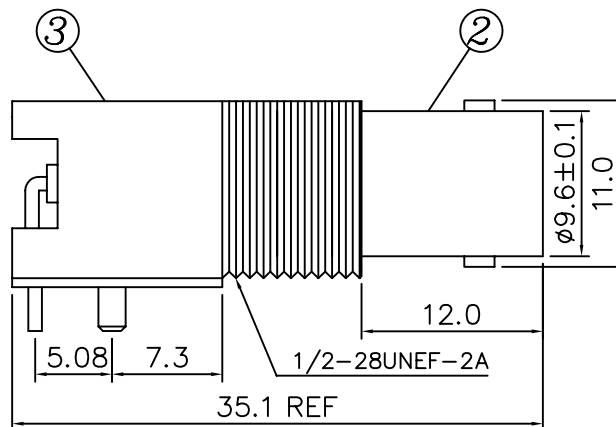
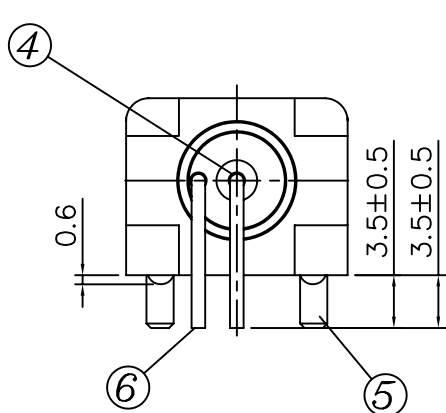


RECOMMENDED MOUNTING HOLE
MAXIMUM PANEL THICKNESS:5.5MM

Note:
Tolerances:
X. ±0.5
X.X ±0.3
X.XX±0.2

Revised dimensions and description

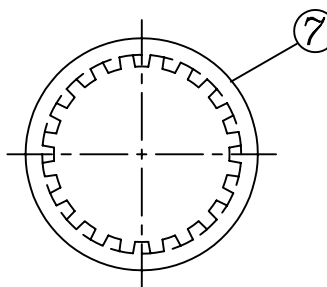
YEAR ROUND Technology Corp. TEL: 886 2 22901234 www.yr.com.tw		Title		
		50 OHM BNC RIGHT-ANGLE PCB/PANEL MOUNT JACK		
P/N	5BR-06111	Checked By	Drawn By	Approved By
D/N	5BR-06111,R			
SCALE	2:1			
		UNIT	MM	



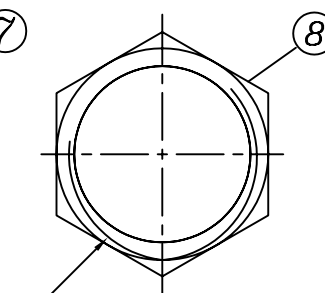
RECOMMENDED PC BOARD LAYOUT
WITHOUT MOUNTING POSTS

MATERIAL & FINISH

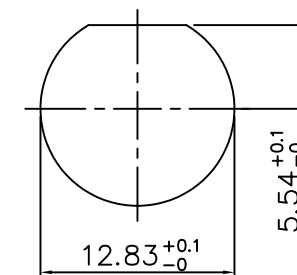
- ① CENTER CONTACT :BRONZE,GOLD PLATING
- ② BODY :ZINC ALLOY NICKEL PLATING
- ③ HOUSING :PBT (94 V-0)
- ④ INSULATOR :PE-606
- ⑤ MOUNTING POST :BRONZE, TIN PLATING
- ⑥ SOLDER TAIL :COPPER WIRE, TIN PLATING
- ⑦ WASHER :STEEL, NICKEL PLATING
- ⑧ NUT :BRASS, NICKEL PLATING



LOCK WASHER



1/2-28UNEF-2B
CLAMP NUT



RECOMMENDED MOUNTING HOLE
MAXIMUM PANEL THICKNESS:5.5MM



YEAR ROUND Technology Corp.

TEL: 886 2 22901234 www.yr.com.tw

Title	75 OHM BNC RIGHT-ANGLE PCB/PANEL MOUNT JACK			
P/N	7BR-06111	Checked By	Drawn By	Approved By
D/N	5BR-06111,R	93,06,08	93,06,08	93,06,08
SCALE	2:1			
UNIT		MM		

Note:
Tolerances:
X. ±0.5
X.X ±0.3
X.XX±0.2

Revised dimensions and description