

RECOMMENDED PC BOARD LAYOUT  
WITHOUT MOUNTING POSTS

LOCK WASHER

1/2-28UNEF-2B  
CLAMP NUT

RECOMMENDED MOUNTING HOLE  
MAXIMUM PANEL THICKNESS: 5.5MM

**MATERIAL & FINISH**

- ① CENTER CONTACT : BRONZE, GOLD PLATING
- ② BODY : ZINC ALLOY NICKEL PLATING
- ③ HOUSING : PBT (94 V-0) BLACK
- ④ INSULATOR : PE-606
- ⑤ MOUNTING POST : BRONZE, TIN PLATING
- ⑥ SOLDER TAIL : COPPER WIRE, TIN PLATING
- ⑦ WASHER : STEEL, NICKEL PLATING
- ⑧ NUT : BRASS, NICKEL PLATING



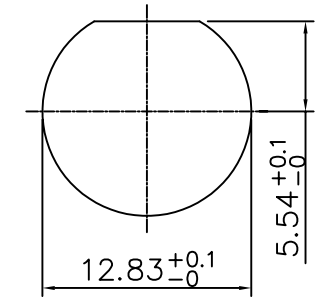
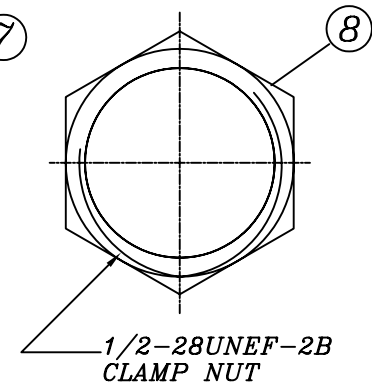
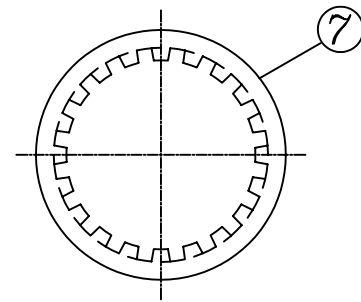
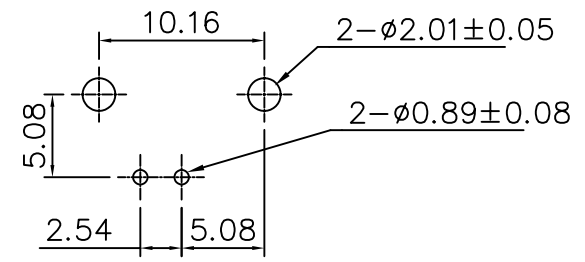
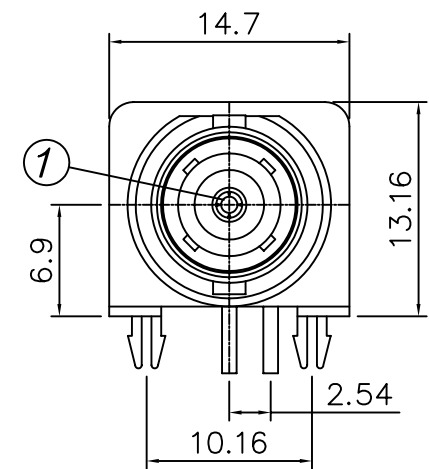
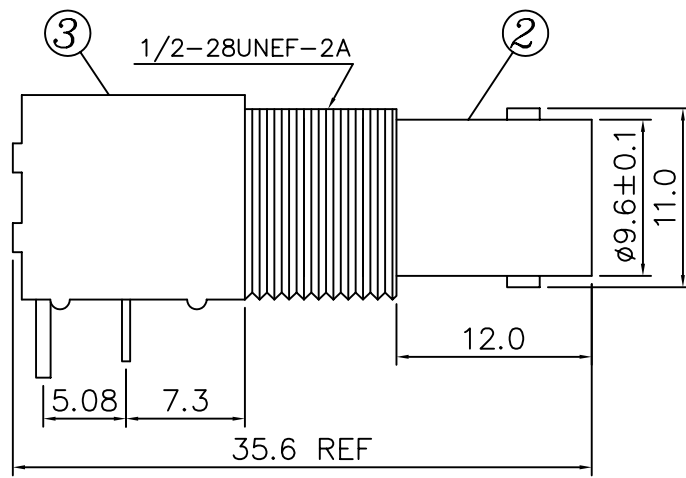
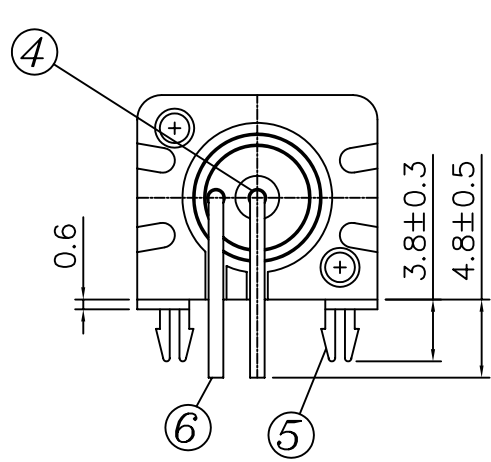
**YEAR ROUND Technology Corp.**

TEL: 886 2 22901234 www.yr.com.tw

Title	50 OHM BNC R/A PCB PANEL MOUNT JACK			
P/N	5BR-02521	Checked By	Drawn By	Approved By
D/N	5BR-02521,R	柯 93,06,08 宏融	趙 93,06,08 龍鴻	白 93,06,08 添發
SCALE	2:1	REV	2	
		UNIT	MM	

Note:  
Tolerances:  
X. ±0.5  
X.X ±0.3  
X.XX±0.2

Revised dimensions and description



RECOMMENDED PC BOARD LAYOUT  
WITHOUT MOUNTING POSTS

LOCK WASHER

1/2-28UNEF-2B  
CLAMP NUT

RECOMMENDED MOUNTING HOLE  
MAXIMUM PANEL THICKNESS: 5.5MM

MATERIAL & FINISH

- ① CENTER CONTACT : BRONZE, GOLD PLATING
- ② BODY : ZINC ALLOY NICKEL PLATING
- ③ HOUSING : PBT (94 V-0) BLACK
- ④ INSULATOR : PE-606
- ⑤ MOUNTING POST : BRONZE, TIN PLATING
- ⑥ SOLDER TAIL : COPPER WIRE, TIN PLATING
- ⑦ WASHER : STEEL, NICKEL PLATING
- ⑧ NUT : BRASS, NICKEL PLATING

<b>YEAR ROUND Technology Corp.</b> TEL: 886 2 22901234    www.yr.com.tw		Title			
		75 OHM BNC R/A PCB PANEL MOUNT JACK			
P/N		7BR-02521	Checked By	Drawn By	Approved By
D/N		5BR-02521,R			
SCALE		2:1			
Note: Tolerances: X. ±0.5 X.X ±0.3 X.XX±0.2		UNIT		MM	

Revised dimensions and description