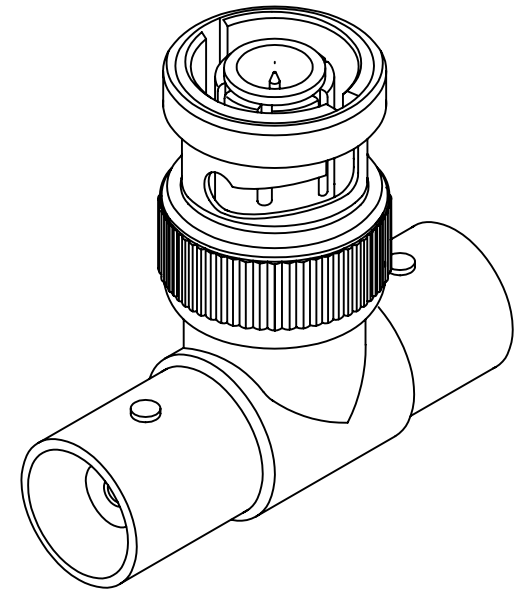
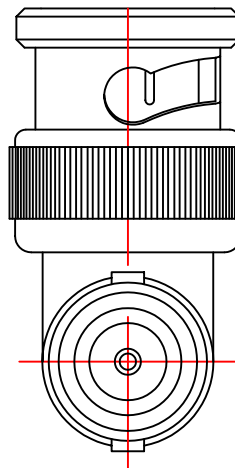
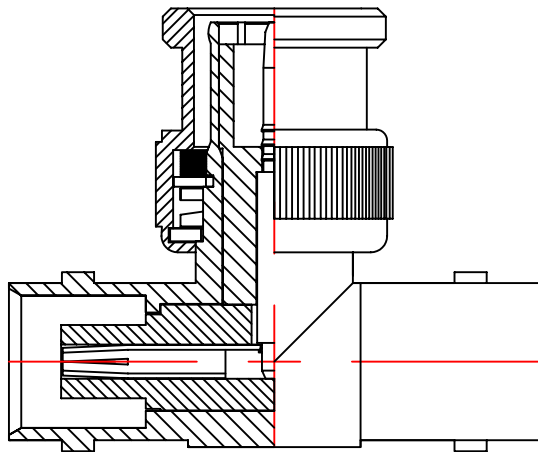





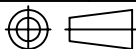
MATERIAL&FINISH

BODY : ZINC ALLOY, NICKEL PLATING
DIELECTRIC : PE-606
FEMALE CONTACT : PHOSPHOR BRONZE, GOLD PLATING
MALE CONTACT : BRASS, GOLD PLATING
SPRING : SWPB
GASKET : SIRUBBER



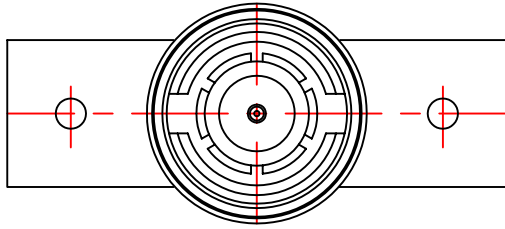
YEAR ROUND Technology Corp.

TEL: 886 2 22901234 www.yr.com.tw

Title	50Ω BNC "T" ADAPTOR			
P/N	5BT-01	Checked By	Drawn By	Approved By
D/N	5BT-01,R			
SCALE	2:1			
	UNIT	MM		

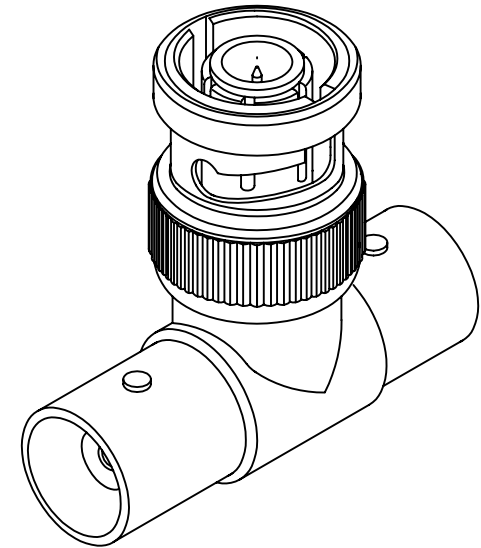
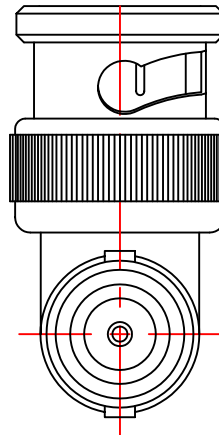
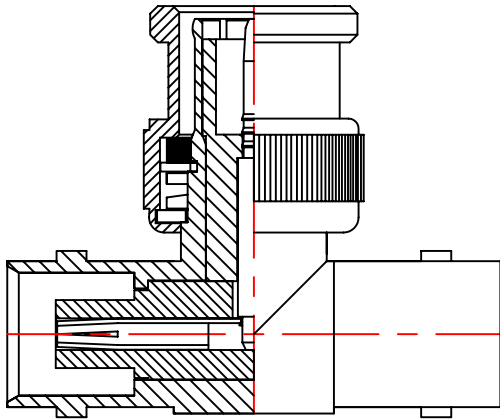
Note:
 Tolerances:
 X. ±0.5
 X.X ±0.3
 X.XX±0.2

Revised dimensions and description






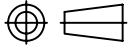
MATERIAL&FINISH

BODY : ZINC ALLOY, NICKEL PLATING
DIELECTRIC : PE-606
FEMALE CONTACT : PHOSPHOR BRONZE, GOLD PLATING
MALE CONTACT : BRASS, GOLD PLATING
SPRING : SWPB
GASKET : SIRUBBER



YEAR ROUND Technology Corp.

TEL: 886 2 22901234 www.yr.com.tw

Title	75Ω BNC "T" ADAPTOR			
P/N	7BT-01	Checked By	Drawn By	Approved By
D/N	7BT-01,R	 柯 宏融 92,11,05	 趙 龍鴻 92,11,05	 白 添發 92,11,05
SCALE	2:1			
		UNIT	MM	

Note:
 Tolerances:
 X. ±0.5
 X.X ±0.3
 X.XX±0.2

Revised dimensions and description