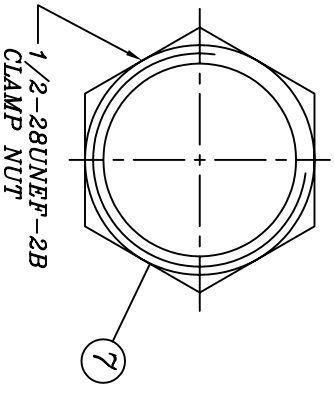
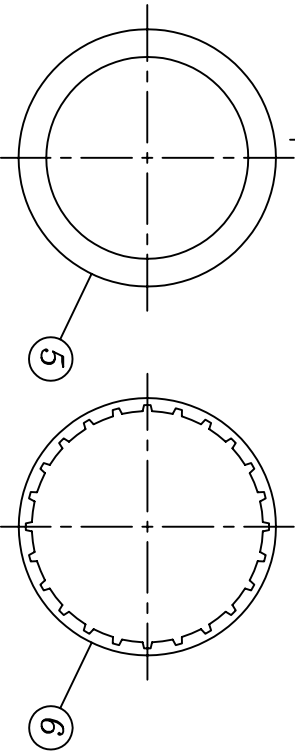


RECOMMENDED MOUNTING HOLE
 MAXIMUM PANEL THICKNESS: 5.5MM
 RECOMMENDED MOUNTING TORQUE:
 12 INCH-POUNDS MAX



- ① CENTER CONTACT : BRASS, GOLD PLATING
- ② BODY : DIECAST (ZINC#3), NICKEL PLATING
- ③ INSULATOR : DELRIN (94 V-0)
- ④ FERRULE: BRASS, NICKEL PLATING
- ⑤ GASKET: RUBBER
- ⑥ WASHER : PHOSPHOR BRONZE, NICKEL PLATING
- ⑦ NUT : BRASS, NICKEL PLATING

Note:
 Tolerances:
 X. ±0.5
 X.X ±0.3
 X.XX ±0.2

 益睿科技股份有限公司 YEAR ROUND TECHNOLOGY CORPORATION TEL: 886 2 22901234 E-MAIL: yearound@yr.com.tw		品名 Title 50Ω BNC BULKHEAD CRIMP JACK(RG58)	件號 P/N 5BH-02	圖號 D/N 5BH-02,R	比例 SCALE 2:1	單位 UNIT MM	設計 Checked By 柯 宏融	繪圖 Drawed By 陳 孝國	校對/審核 Approved By 白 添發
--	--	--	---------------------	-----------------------	--------------------	------------------	--------------------------	-------------------------	------------------------------

尺寸修正及說明
 Revised dimensions and description

編號
 NO.